



WILDLIFE DAMAGE MANAGEMENT QUICK REFERENCE SERIES: **BEAVERS**

Managing Beaver Problems in Kentucky

Beaver Removal Options for Landowners

The removal of beavers and beaver dams may provide temporary relief from beaver damage and flooding. In high density areas, neighboring beavers will likely move in to reoccupy a site. Landowners and road departments may utilize the following options to remove beavers:

- **LANDOWNERS MAY REMOVE BEAVERS OR DESIGNATE AN INDIVIDUAL TO CONDUCT REMOVAL**

Landowners may kill or trap wildlife causing damage to their land or personal property per KRS 150.170. A landowner may request authorization to designate another person to shoot or trap wildlife causing damage by filling out a simple form provided by a local Kentucky Department of Fish and Wildlife Resources wildlife biologist or conservation officer. Find your local biologist or conservation officer on the department website at fw.ky.gov. A hunting or trapping license is not required. Destruction of any wildlife must be reported to a conservation officer within 24 hours of the kill.



KANSAS DEPT. OF WILDLIFE, PARKS & TOURISM PHOTO

- **SEEK ASSISTANCE FROM A FUR TRAPPER**

Landowners and farmers who have problems with furbearers (mink, muskrat, beaver, river otter, weasel, raccoon, opossum, gray fox, red fox, bobcat, coyote or striped skunk) may request assistance from a fur trapper during the legal trapping season. Through this program, farmers and landowners benefit by solving nuisance problems at no cost, and fur trappers benefit by gaining land access for trapping opportunities. Furbearer trapping season is open from mid-November to the end of February. Fur trappers are private individuals and not employed by the Kentucky Department of Fish and Wildlife Resources. *Visit fw.ky.gov for a list of Fur Trappers in your area.*

- **HIRE A NUISANCE WILDLIFE CONTROL OPERATOR**

Nuisance Wildlife Control Operators are individuals permitted by the Kentucky Department of Fish and Wildlife Resources to provide professional wildlife control assistance for a fee. *Visit fw.ky.gov to find a Nuisance Wildlife Control Operator in your area.*

- **CONTRACT WITH U.S. DEPARTMENT OF AGRICULTURE'S WILDLIFE SERVICES**

Contact Wildlife Services to request a site visit and estimate at 1-866-4USDAWS



LAURA PALMER PHOTO

Using Flow Devices and Culvert Fences to Keep Water Moving

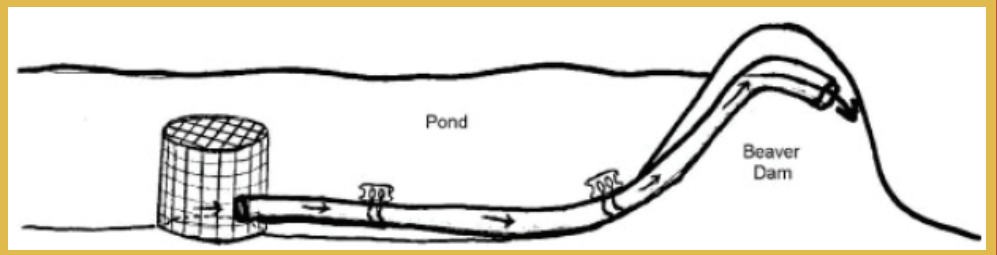
Flow devices and fencing around culverts can minimize flooding in some situations when beavers are present. Flow devices installed in conjunction with exclusion fencing keep water moving through culverts (Figure 1), lower water levels behind dams and maintain water flow (Figure 2), and maintain water control structures (Figure 3). Flow device intakes are beneath the water and far away from the dam or culvert. This tricks beavers by removing the sound and movement of running water to which they respond to repair dams or plug culverts.



PHOTO COURTESY OF USDA-APHIS-WS

FIGURE 1. Above is a flow device system using a large wire box (trapezoid shape is also effective) to exclude beavers from a culvert intake. Cages at the ends of corrugated pipes prevent plugging by beavers.

FIGURE 2. Pipe installed through the dam reduces water levels and keeps water flowing undetected by beavers. An exclusion cage encloses the end of the pipe to prevent plugging by beavers if they detect the water intake.



DRAWING COURTESY OF MIKE CALLAHAN

FIGURE 3. This flow device uses PVC piping with holes in the intake end that feeds into an HDPE pipe. A trash guard encloses the connection to prevent plugging by beavers.

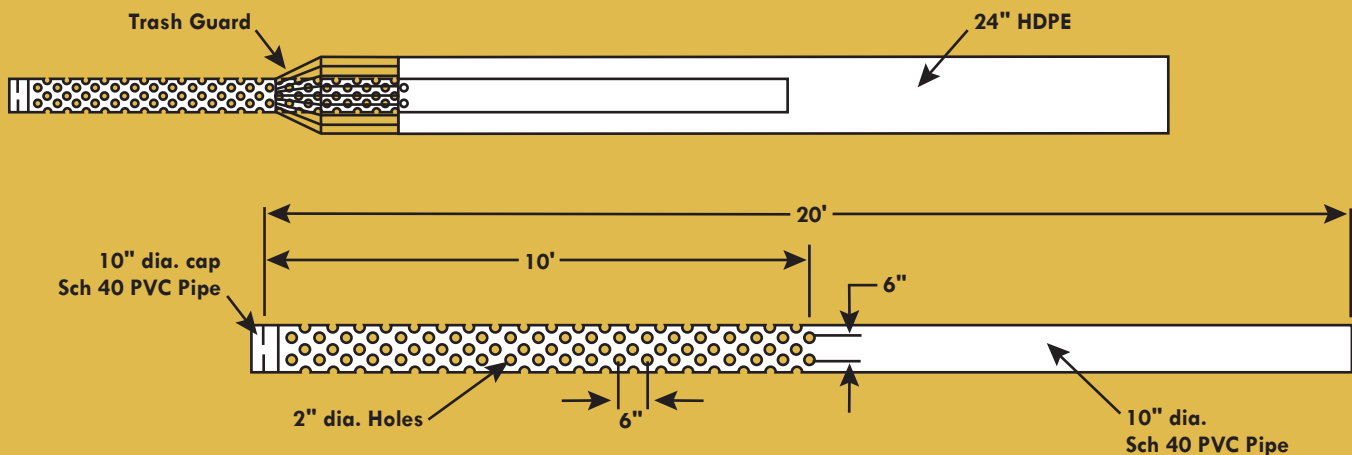


FIGURE COURTESY OF NRCS

Helpful Resources

- Taylor, J.D., Yarrow, G.K., and J.E. Miller. 2017. Beavers. Wildlife Damage Management Technical Series. USDA, APHIS, WS National Wildlife Research Center. Ft. Collins, Colorado. 21p.
- Taylor, J.D., and R.D. Singleton. 2014. The evolution of flow devices used to reduce flooding by beavers: a review. Wildlife Society Bulletin 38:127-133.
- Internet Center for Wildlife Damage Management: <http://icwdm.org/wildlife/beaver/BeaverPipes.aspx>